

“On Everything *That’s On Sea*”

04

Corporation
Anchor Windlass &
Capstan
Steering Gear
▼ **Towing Hook**
Towing Pin
Winch



datahidrolik.com



Disc Type Quick Release Towing Hooks

Features

As all other DATA products, quick release towing hooks are designed and manufactured to meet the highest standards to be used in severe marine conditions and serve in long term with minimum maintenance.

DATA Towing hooks are specially designed for towing with steel and nylon/polypropylene ropes.

There are 5 different models starting from 15 tons up to 100 tons safe working load (SWL).





- ▼ Towing hooks are delivered with manual release mechanism including a fairlead for the guidance of manual release wire.

All towing hooks are delivered ready to install a pneumatic or hydraulic release cylinder.

Manual release load is less than 15 kgs at full SWL meeting the class requirements.

Every towing hook is delivered after being tested in the factory.

Towing hooks are certified by all well known class societies and delivered with class certificate upon customer request.



Towing hook release panel for wheel house



Towing hook release button for deck



Towing hook wheelhouse control panel with load monitoring display unit

Options

In addition to manual release mechanism, release by pneumatic or hydraulic system is optional.

With pneumatic or hydraulic system, a remote release panel with push button for wheel house and/or water tight push button for deck can be ordered.

Wheel house panel can be delivered with a load display which shows towing load. High load alarm is received at the setted load. System consists of a load pin with integrated amplifier and a wheel house control panel with display unit.

Disc type towing hooks can be integrated with shock absorber springs.



Towing hook foundation with integrated manoeuvring capstan



Disc type towing hook with shock absorbers



Hydraulic Power Pack for Towing Hook

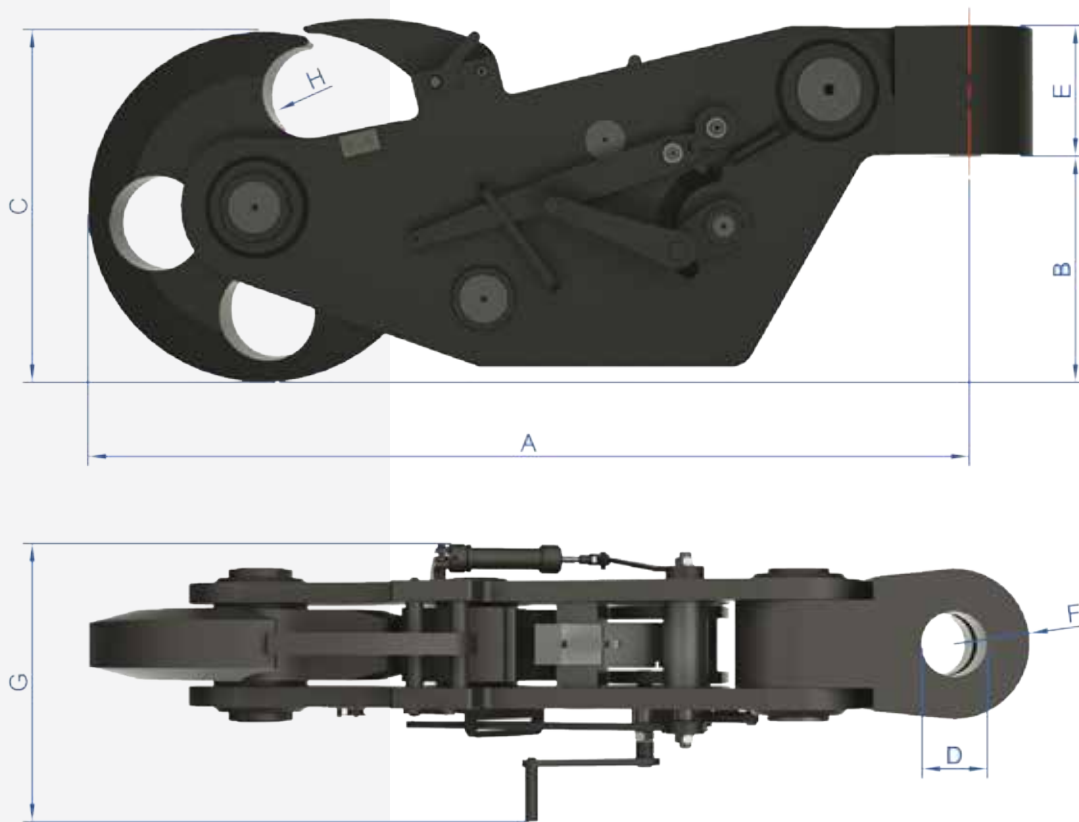
Quick Release By Pneumatic System

Quick release by pneumatic system includes a pneumatic cylinder, 24VDC pneumatic valve and release panel for wheel house. Water tight release panel for deck can be added as an option. Min. 5 bar, max 10 bar air pressure is required for the system.

Quick Release By Hydraulic System

Quick release by hydraulic system includes a hydraulic cylinder, 24VDC or 380VAC hydraulic power pack, hydraulic accumulator and release panel for wheel house. Water tight release panel for deck can be added as an option. If a hydraulic system exists in the vessel, towing hook hydraulic release can be integrated to this system.

Dimensions



DISC TYPE QUICK RELEASE TOWING HOOK

Dimensions in mm

MODEL	SWL (kN)	TEST (kN)	WEIGHT (kg)	A	B	C	D	E	F	G	H
DTH 15-30	150	375	158	832	217	338	58	133	60	340	50
DTH 30-60	300	750	360	1156	305	470	80	180	82	438	65
DTH 45-90	450	1100	450	1205	294	470	100	200	115	488	65
DTH 70-130	700	1575	800	1512	388	600	110	220	125	515	80
DTH 90-135	1000	2000	1030	1669	432	670	118	242	140	555	90



İstanbul Deri Organize Sanayi Bölgesi,
Yan Sanayi Alanı YA-8 Parsel,
Aydınlı, Tuzla
İstanbul / TURKEY

T: +90 (216) 591 07 45
F: +90 (216) 591 02 51
data@datahidrolik.com

datahidrolik.com

